



The smart choice for compact downlighting



Fortimo LED Disk 800 Lm
Gen4 non-dimmable

PHILIPS

Easy to design in, compact and cost effective integrated LED downlight module with high quality of light

Customers in the hospitality, office and retail segment want to reduce their energy consumption and maintenance cost, without compromising on light quality. Luminaire manufactures can help them do that with a standardized LED solution. The LED Disk 800 Lm Gen4 non-dimmable, is ideal for compact downlights requiring high quality light, thanks to the latest energy efficient LED technology, integrated driver and optics.

The small form factor offers luminaire makers maximum freedom of design. Designing small compact downlights with long lifetime and high quality of light, creates new possibilities for the market.

Product features

- Integrated driver (direct connection to the mains) and optics (85 ° beam angle)
- Available in 2700 K, 3000 K and 4000 K color temperatures
- High quality of light with color rendering index larger than 80

Product benefits

- Easy to design-in, direct connection to the mains
- Compact design (all in module)
- High light quality and performance
- High energy efficiency combined with long lifetime (50 K hrs @ Tc 60 °C)
- Cost effective solution
- Class I and Class II



Application

- Ideal for small compact downlights in home, hospitality, retail and cruise ship type of applications



Home

Living, bathroom, home office



Hospitality

Lobbies, reception areas, restaurants, bars, corridors, service areas, lounges, waiting rooms



Retail

Accent and display lighting, compact spot- and downlight

Recessed downlight

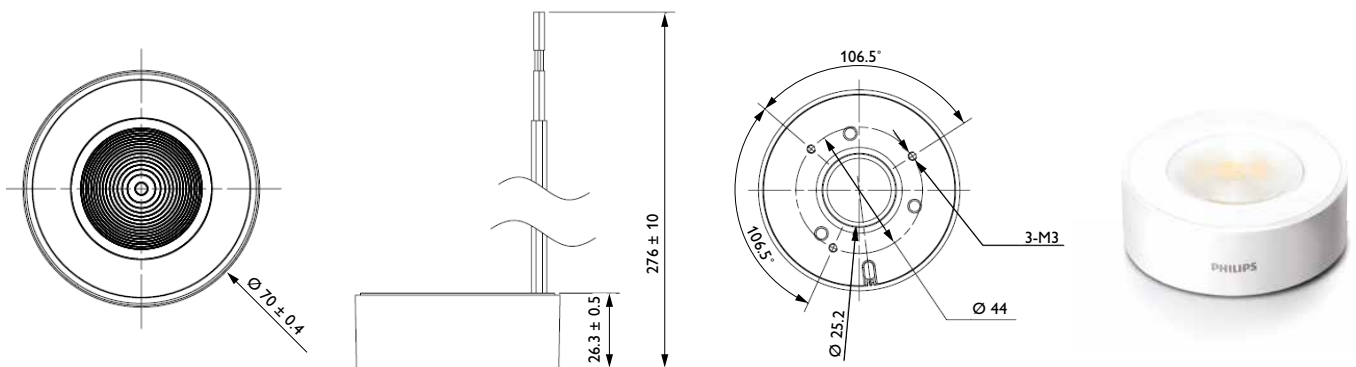


Compact downlight



Dimensions (mm)

Fortimo LED Disk 800 Lm



Specification

Product Name	Lumen output (Lm)	Power consumption (W)	System efficacy (Lm/W)	Colour Temp (K)	Beam angle (°)	Colour Rendering Index (Ra)	Colour consistency (SDCM)	Input voltage (V)	B50L70 @ Tambient 35 °C (hrs)
Fortimo LED Disk 800Lm/827 non-dim G4	800	12	68	2700	85	80	5	230	50000 @ Tc 60 °C
Fortimo LED Disk 800Lm/830 non-dim G4	800	12	68	3000	85	80	5	230	50000 @ Tc 60 °C
Fortimo LED Disk 800Lm/840 non-dim G4	850	11	76	4000	85	80	5	230	50000 @ Tc 60 °C

Ordering data

Product Name	Units per package (pcs)	EOC	12NC code
Fortimo LED Disk 800Lm/827 non-dim G4	24	692341074829100	929000891980
Fortimo LED Disk 800Lm/830 non-dim G4	24	692341074831400	929000892080
Fortimo LED Disk 800Lm/840 non-dim G4	24	692341074833800	929000892180

For more information, please visit:
www.philips.com/technology



©2014 Royal Philips N.V.

All rights reserved. The information presented in this document does not form part of any quotation or contract, is believed to be accurate and reliable and may be changed without notice. No liability will be accepted by the publisher for any consequence of its use. Publication thereof does not convey nor imply any license under patent- or other industrial or intellectual property rights.

07/2014

